

CODE NUMBER

3345102

DESCRIPTION

GEM Adapter, Polished Chrome Finish, Top Spud, Single Flush, Hardwired, Exposed Sensor Hardwired Urinal/Water Closet Retrofit Flushometer.

DETAILS

- Finish: Polished Chrome (CP)
- Power Type: Hardwired (HW)
- Valve: Diaphragm
- Valve Body Material: Semi-red Brass
- Fixture Type: Urinal/Water Closet
- Fixture Connection: Top Spud
- Adapter: GEM Adapter (GEM)

FEATURES

- Non-Hold-Open True Mechanical Override Full Flush Button
 - User-friendly three (3) second flush delay
 - "User in View" Flashing LED
 - No External Volume Adjustment to Ensure Water Conservation
- The Side Mount units can be used on standard rough-in Sloan, Royal, Regal and Zurn flushometers.

**COMPLIANCES & CERTIFICATIONS**

(ADA Compliant, BREEAM Water Credit, cUPC Certified, Green Globes Water Credit, UL Certified)

RECOMMENDED SPECIFICATION

Valve Body, Cover, Tailpiece and Control Stop shall be in conformance with ASTM Alloy Classification for Semi- Red Brass. Valve shall be in compliance with the applicable sections of ASSE 1037 and ANSI/ASME 112.19.2.

VALVE OPERATING PRESSURE (FLOWING)

15–80 PSI (103–552 kPa). Specific fixtures may require greater minimum flowing pressure - consult manufacturer requirements.

DOWNLOADS

- [EL-700/750-A Installation Instructions](#)
- [Additional Downloads](#)

NOTES

All information contained within this document subject to change without notice.

Looking for other variations of the EL700A product? [View the general spec sheet with all options.](#)

[Find a compatible urinal](#) for this flushometer.

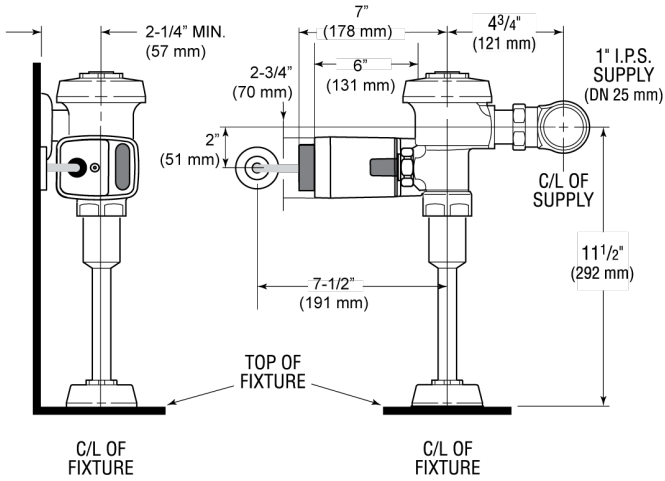
[Find a compatible water closet](#) for this flushometer.

Sloan 10500 Seymour Ave, Franklin Park, IL 60131

Phone: 800.982.5839 • Fax: 800.447.8329 • sloan.com

ROUGH-IN

EL-700-A Single-Flush SideMount Hardwired unit
shown on an existing Royal 186 urinal flushometer



EL-700-A Single-Flush SideMount Hardwired unit
shown on an existing Royal 111 closet flushometer

